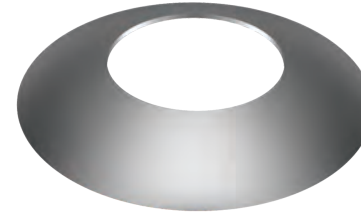
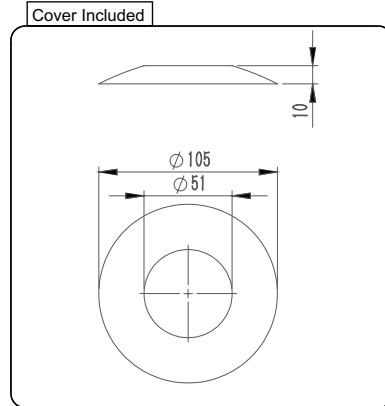
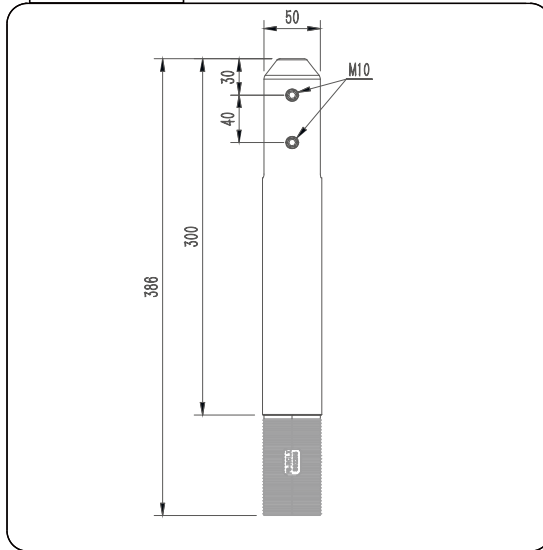


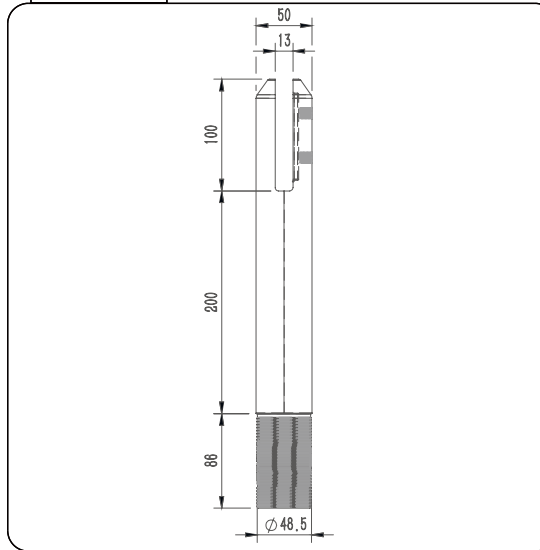
Product Info.	
Finish	Code
Polish	FS-RCLM
Satin	FS-RCLS
Texture Black	FS-RCLB



Front View



Side View



Drawing ID

FS-RCLX

MATERIAL:

Duplex 2205 Stainless Steel

CATALOGUE AND DESCRIPTION:

- > Glass Fixing System
- > Extension Round Friction Core Drill Spigot
- > Suitable for 12mm Glass

NOTES:

This drawing and or specification is the property of Silver Stone Hardware Pty Ltd - and must be returned to them on request. Unauthorised use may result in Legal Action. Its contents must not be made public, nor copied, nor used directly or indirectly in any way.

SILVER STONE HARDWARE PTYLID

56-62 Bryant Street, Padstow, NSW 2211
 T: (02) 9792 2955 M: 0452 526 680
www.silverstonehardware.com.au
sales@silverstonehardware.com.au